



Sovitron Interior Pvt.Ltd.



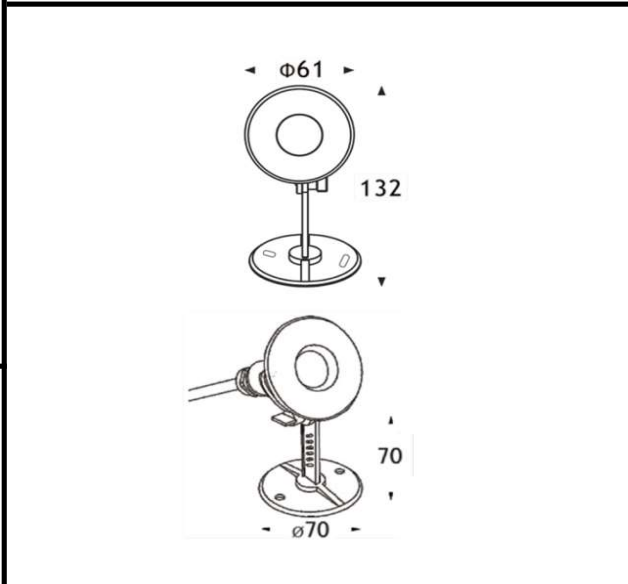
Model Name	EDGE-5001/ DL-OBL-5001-3
Description	UNDER WATER LIGHT

Technical description	Image
-----------------------	-------

Dimension	Dia=61mm H=132mm
Frame	Aluminum die cast
Color Tempertaure	3000K
Power	3W
Total Luminous Flux	195 lm
Efficacy	65 lm/W
IP rating	68
Color Rendering	≥80
Mounting	Recessed
Optics	Clear glass
Dimming	NON-Dimmable
Operating Voltage	DC24V
Standard Lifetime	L70 minimum at 50,000 burning hours



Dimension diagram



Remarks:-

Address: Plot #7 Saroorpur-Nangla Industrial Area,Ballabgharh-Sohna Road,Faridabad-121005
Email: info@sovitron.com